

PRODUCT NUMBER	VOLTAGE	MARKET
9215430-01	240V/12V/GAS	UK (DE-LUXE WITHOUT PANEL)
921 54 31-01	240V/12V/GAS	UK (DE-LUXE WITH PANEL)
921 54 33-01	240V/12V/GAS	UK (ABBAY WITHOUT PANEL)
921 54 36-01	240V/12V/GAS	UK (SWIFT WITHOUT PANEL)
921 54 37-01	240V/12V/GAS	UK (SWIFT WITHOUT PANEL)

When ordering spare parts always state: MODEL • QUANTITY • PART NUMBER • DESCRIPTION  
or electric details also: VOLTAGE • WATTAGE

• ELECTROLUX UK  
P.O. BOX 14  
Preston Road  
Aycliffe Industrial Estate  
NEWTON AYCLIFFE  
Co. Durham  
DL5 6XA

Publication no.

599 42 03-13/0

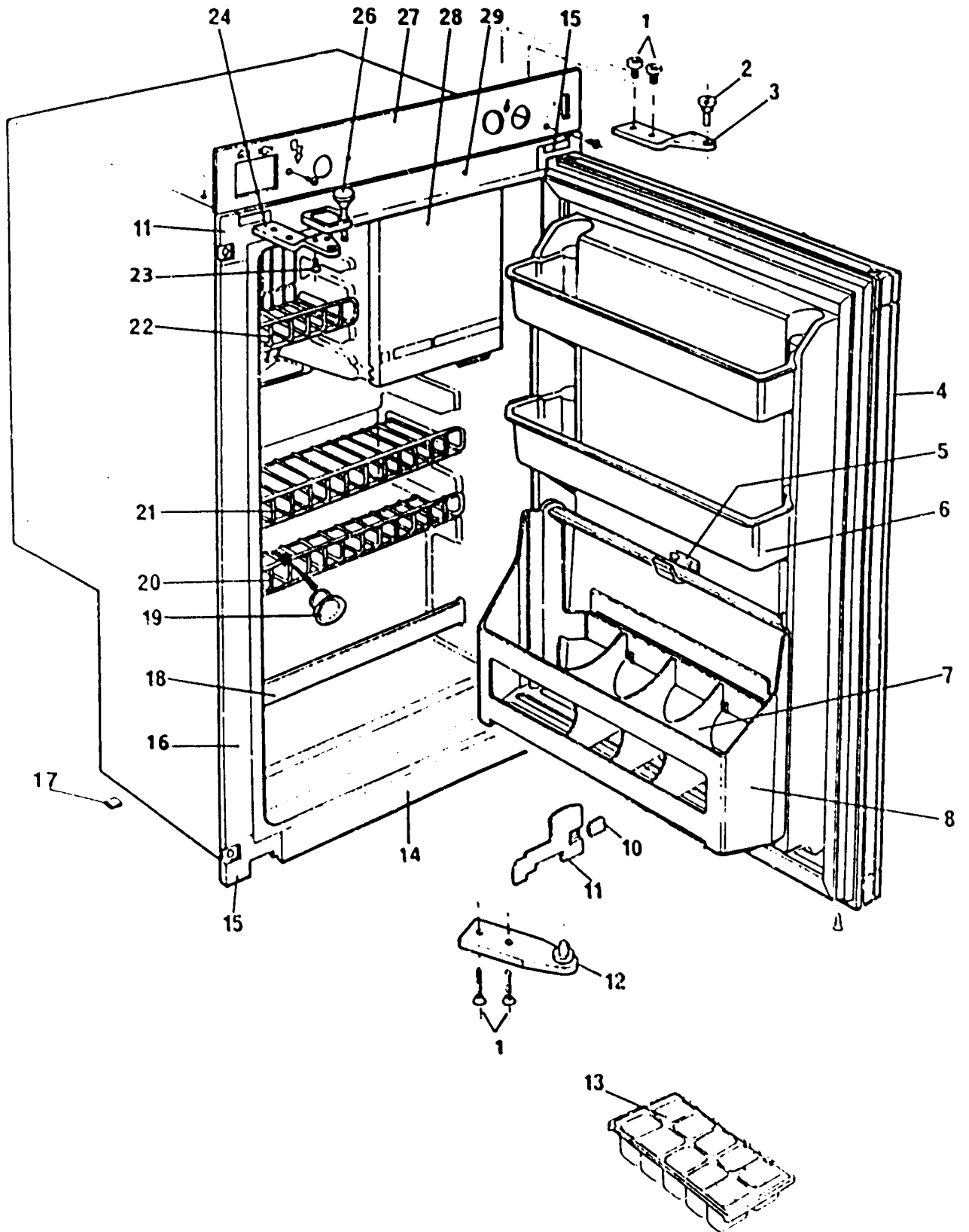
911106  
ETP / GBX

Electrolux  
Absorption  
Refrigerator  
EDITION 4

DE-LUXE  
ABBAY  
SWIFT

# RM2260

# RM2260



# RM2260

A = RM2260 (921 54 30-01)  
 B = RM2260 (921 54 31-01)  
 C = RM2260 (921 54 33-01)  
 D = RM2260 (921 54 36-01)  
 E = RM2260 (921 54 37-01)

Pos.	Part number		Description
1	27 20 88-00/8	A B C D E	SCREW, 8X1/2 POZ PAN
2	290 47 52-03/3	A B C D E	HINGE, PIN, UPPER
3	290 46 71-05/0	A B C D E	HINGE, R/H, UPPER
4	290 46 60-02/0	A - C D E	DOOR, CPL.
	290 46 60-03/8	- B - - -	DOOR, CPL
4A	290 51 03-00/4	- B - - -	DOOR, PANEL (Not illustrated)
5	290 48 23-00/8	A B C D E	CLIP, BOTTLE CARRIER
6	290 46 18-02/8	A B C D E	DOOR, SHELF, UPPER
7	290 46 65-01/1	A B C D E	PARTITION FOR BOTTLE CARRIER
8	290 46 46-02/9	A B C D E	BOTTLE, CARRIER
10	290 50 06-00/9	A B C D E	CAP FOR SCREW
11	290 50 05-00/1	A B C D E	CORNER, MOULDING, TOP L/H&BOT R/H
12	290 51 27-00/3	A B C D E	HINGE, LOWER, CPL.
12A	290 23 55-00/3	A B C D E	SPACER, FOR LOWER HINGE (Not illustrated)
13	34 31 09-00/5	A B C D E	ICE TRAY
14	290 50 03-00/6	A B C D E	BOTTOM, FLANGE
15	290 50 04-00/4	A B C D E	CORNER, MOULDING, TOP R/H&BOT L/H
16	290 54 56-00/6	A B C D E	SIDE, FLANGE
17	290 49 33-00/5	A B C D E	FOOT
18	290 49 38-00/4	A B C D E	RETAINING BAR
19	290 32 55-00/4	A B C D E	FLAME VIEWER
20	290 53 45-01/9	A B C D E	SHELF, CHROME PLATED, LOWER
21	290 52 90-00/9	A B C D E	SHELF, CHROME PLATED, MIDDLE
22	290 53 45-00/1	A B C D E	SHELF, CHROME PLATED, TOP, SMALL
23	724 32 22-01/0	A B C D E	SCREW, HINGE/TR. CATCH
24	290 46 72-05/8	A B C D E	HINGE, L/H, UPPER
26	290 51 26-00/5	A B C D E	CATCH, TRAVEL CPL
27	290 53 50-03/5	A B - - E	FASCIA PANEL, DECORATED
	290 54 40-03/4	- - C - -	FASCIA PANEL, DECORATED
	290 54 69-00/9	- - - D -	FASCIA PANEL, DECORATED
28	290 46 45-03/9	A B C D E	COLD CHAMBER DOOR
29	290 50 01-00/0	A B C D E	TOP, FLANGE

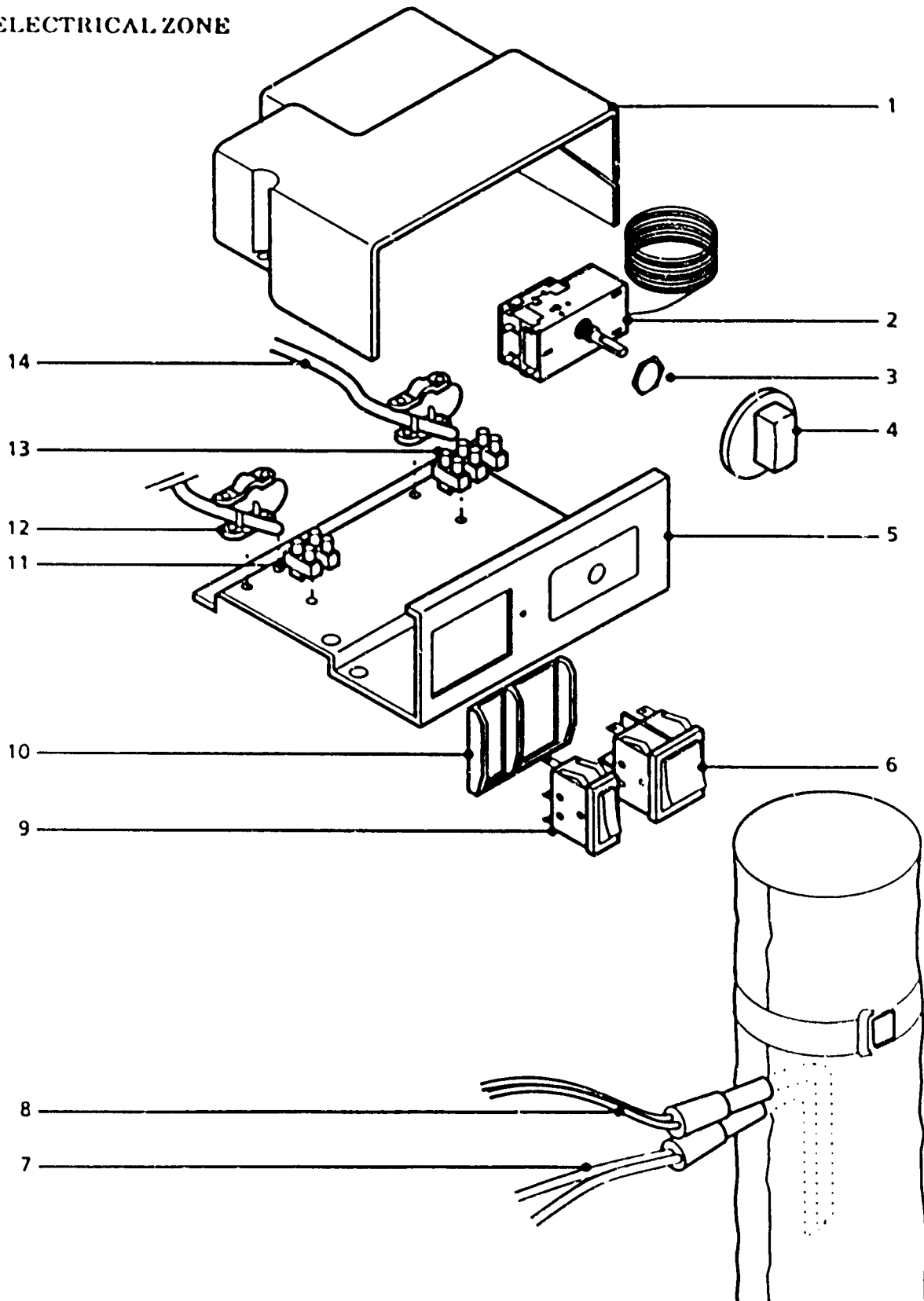
# RM2260

A = RM2260 (921 54 30-01)  
 B = RM2260 (921 54 31-01)  
 C = RM2260 (921 54 33-01)  
 D = RM2260 (921 54 36-01)  
 E = RM2260 (921 54 37-01)

Pos.	Part number		Description
1	27 20 88-00/6	A B C D E	SCREW, 8X1/2 POZ PAN
2	290 47 52-03/3	A B C D E	HINGE, PIN, UPPER
3	290 46 71-05/0	A B C D E	HINGE, R/H, UPPER
4	290 46 60-02/0	A - C D E	DOOR, CPL.
	290 46 60-03/8	- B - - -	DOOR, CPL
4A	290 51 03-00/4	- B - - -	DOOR, PANEL (Not illustrated)
5	290 48 23-00/8	A B C D E	CLIP, BOTTLE CARRIER
6	290 46 18-02/8	A B C D E	DOOR, SHELF, UPPER
7	290 46 65-01/1	A B C D E	PARTITION FOR BOTTLE CARRIER
8	290 46 46-02/9	A B C D E	BOTTLE, CARRIER
10	290 50 06-00/9	A B C D E	CAP FOR SCREW
11	290 50 05-00/1	A B C D E	CORNER, MOULDING, TOP L/H&BOT R/H
12	290 51 27-00/3	A B C D E	HINGE, LOWER, CPL.
12A	290 23 55-00/3	A B C D E	SPACER, FOR LOWER HINGE (Not illustrated)
13	34 31 09-00/5	A B C D E	ICE TRAY
14	290 50 03-00/6	A B C D E	BOTTOM, FLANGE
15	290 50 04-00/4	A B C D E	CORNER, MOULDING, TOP R/H&BOT L/H
16	290 54 56-00/6	A B C D E	SIDE, FLANGE
17	290 49 33-00/5	A B C D E	FOOT
18	290 49 38-00/4	A B C D E	RETAINING BAR
19	290 32 55-00/4	A B C D E	FLAME VIEWER
20	290 53 45-01/9	A B C D E	SHELF, CHROME PLATED, LOWER
21	290 52 90-00/9	A B C D E	SHELF, CHROME PLATED, MIDDLE
22	290 53 45-00/1	A B C D E	SHELF, CHROME PLATED, TOP, SMALL
23	724 32 22-01/0	A B C D E	SCREW, HINGE/TR. CATCH
24	290 46 72-05/8	A B C D E	HINGE, L/H, UPPER
26	290 51 26-00/5	A B C D E	CATCH, TRAVEL CPL
27	290 53 50-03/5	A B - - E	FASCIA PANEL, DECORATED
	290 54 40-03/4	- - C - -	FASCIA PANEL, DECORATED
	290 54 69-00/9	- - - D -	FASCIA PANEL, DECORATED
28	290 46 45-03/9	A B C D E	COLD CHAMBER DOOR
29	290 50 01-00/0	A B C D E	TOP, FLANGE

# RM2260

## ELECTRICAL ZONE



# RM2260

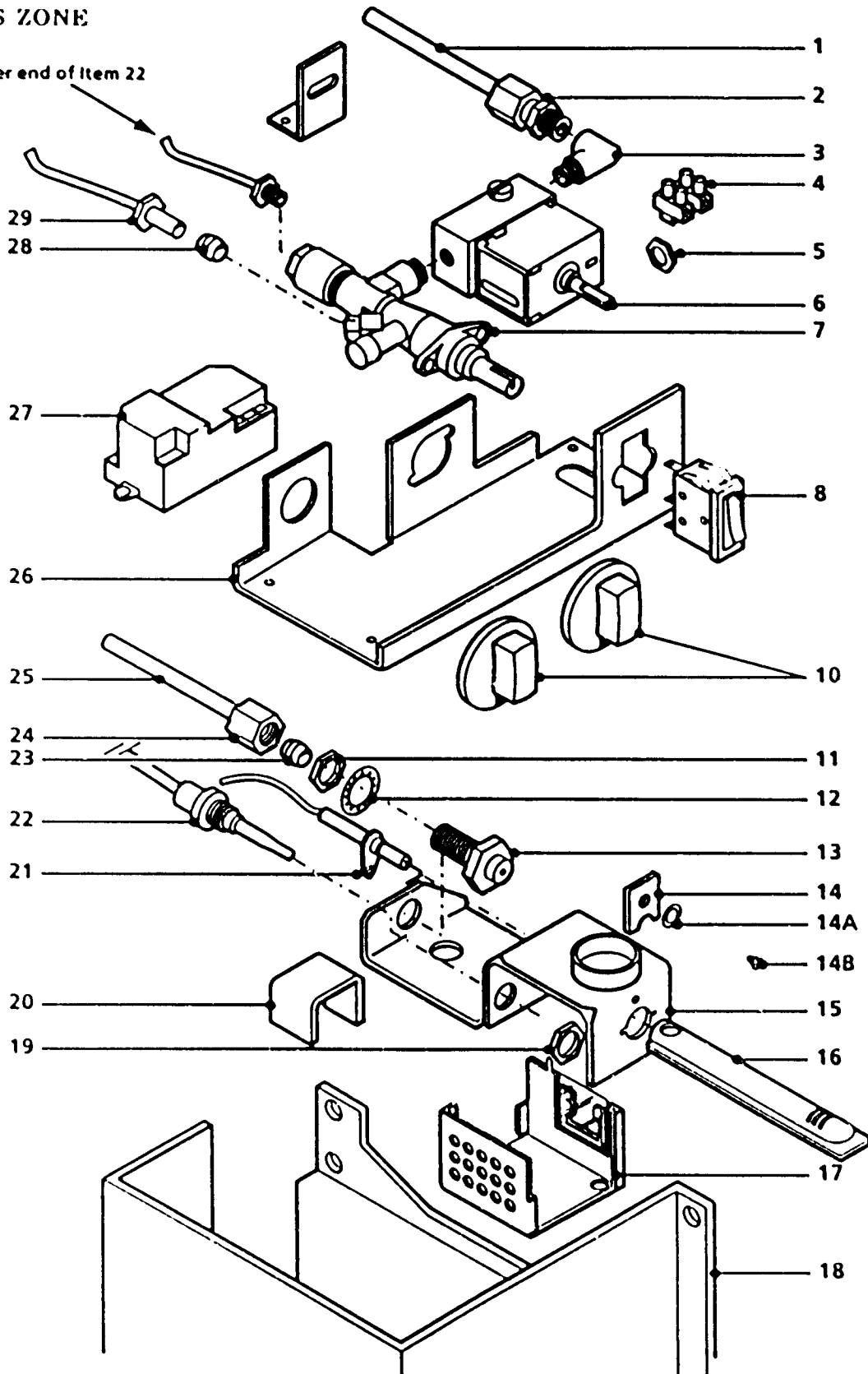
A = RM2260 (921 54 30-01)  
 B = RM2260 (921 54 31-01)  
 C = RM2260 (921 54 33-01)  
 D = RM2260 (921 54 36-01)  
 E = RM2260 (921 54 37-01)

Pos.	Part number		Description
1	290 47 02-00/4	A B C D E	COVER, ELECTRIC EQUIP
2	290 25 95-00/4	A B C D E	THERMOSTAT
2A	290 40 53-00/2	A B C D E	COVER, THERMOSTAT (Not illustrated)
3	290 07 05-00/1	A B C D E	NUT, FOR STAT
4	290 53 42-03/2	A B C D E	KNOB, KIT CPL
5	290 47 01-00/6	A B C D E	BRACKET, ELCTRICAL EQUIP
6	290 46 84-00/4	A B C D E	SWITCH, ILLUMINATED, GREEN, 250
7	290 21 92-14/1	A B C D E	ELEMENT, 240V
8	290 50 22-00/6	A B C D E	ELEMENT, 115W, 12 V
9	290 46 85-00/1	A B C D E	SWITCH, ILLUMINATED, 12V
10	290 47 29-01/5	A B C D E	BEZEL, SWITCH
11	290 32 61-02/8	A B C D E	TERMINAL BLOCK, 2-WAY
12	290 31 04-00/4	A B C D E	CLAMP, CABLE
13	290 40 79-03/1	A B C D E	TERMINAL BLOCK, 3-WAY
14	290 08 34-41/3	A B C - -	CABLE, THREE-CORE
	290 16 04-00/5	A B C D E	CAPILLARY CLIP (Not illustrated)

# RM2260

## GAS ZONE

Other end of Item 22



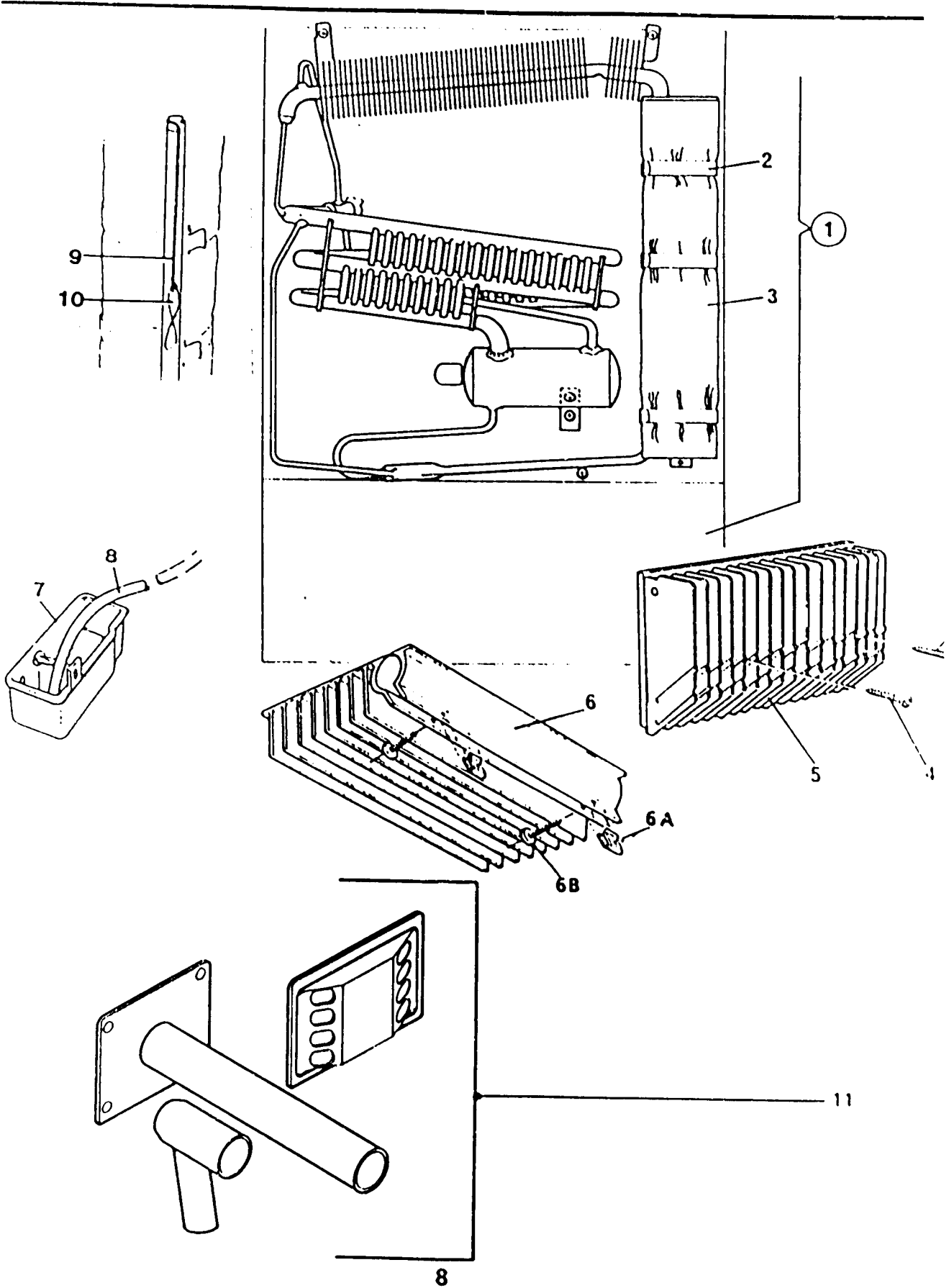
# RM2260

A = RM2260 { 921 54 30-01 }  
 B = RM2260 { 921 54 31-01 }  
 C = RM2260 { 921 54 33-01 }  
 D = RM2260 { 921 54 36-01 }  
 E = RM2260 { 921 54 37-01 }

Pos.	Part number	Description
1	290 28 29-00/7	A B C D E INLET, PIPE
2	29 49 27-02/5	A B C D E SLEEVE, UNION
3	29 16 64-01/9	A B C D E GAS INLET ELBOW
4	290 53 44-00/4	A B C D E TERMINAL BLOCK
5	27 25 62-00/0	A B C D E NUT LOCK
6	290 07 03-24/6	A B C D E THERMOSTAT, V35
7	290 53 02-00/2	A B C D E FLAME FAILURE DEVICE/REGULATOR
8	290 47 76-00/8	A B C D E SWITCH, ROCKER, ILLUMINATED
10	290 53 42-03/2	A B C D E KNOB, KIT CPL
11	290 25 50-00/9	A B C D E NUT, HEX M10 X 1P
12	34 17 47-00/4	A B C D E LOCK, WASHER
13	290 25 40-05/9	A B C D E JET, COMP SIZE F
14	290 25 48-01/1	A B C D E SECURING, PLATE F BNR HSG
14A	735 21 24-00/7	A B C D E WASHER LOCK
14B	29 05 83-00/4	A B C D E SCREW, 4X1/4 POZ PAN
15	290 55 60-00/5	A B C D E BURNER HOUSING
16	290 34 03-00/0	A B C D E BURNER, TUBE CPL.
17	290 25 37-00/6	A B C D E LOWER PART, F BURNER HSG
18	290 54 48-00/3	A B C D E BURNER SHIELD
19	290 25 35-00/0	A B C D E NUT LOCK
20	290 25 46-00/7	A B C D E AERATION HOLE SHIELD
21	290 55 49-01/6	A B C D E ELECTRODE
22	290 25 51-09/8	A B C D E THERMOCOUPLE
23	290 26 12-00/7	A B C D E OLIVE
24	290 25 53-00/3	A B C D E NUT, UNION
25	290 53 36-00/0	A B - D E GAS PIPE
	290 54 39-00/2	- - C - - GAS PIPE
26	290 53 09-00/7	A B C D E BRACKET, GAS EQUIPMENT
27	290 41 36-01/3	A B C D F IGNITER, ELECTRONIC
28	17 32 13-00/0	A B C D E OLIVE
29	290 26 76-00/2	A B C D E NUT CONNECTION
	290 16 76-00/3	A B C D E FILTER(Not illustrated)



# RM2260



# RM2260

A = RM2260 (921 54 30-01)  
 B = RM2260 (921 54 31-01)  
 C = RM2260 (921 54 33-01)  
 D = RM2260 (921 54 36-01)  
 E = RM2260 (921 54 37-01)

Pos.	Part number	Description
1	290 60 15-00/0	A B C D E UNIT, CPL
2	290 37 74-00/4	A B C D E STRAP, FOR BOILER INS.
3	290 39 34-02/0	A B C D E INSULATION, BOILER
4	290 07 98-C0/8	A B C D E SCREW, 10 X 1.5
5	290 46 97-00/8	A B C D E FIN BANK, CPL
6	290 48 14-00/7	A B C D E EVAPORATOR, SHELF CPL
6A	290 32 06-00/9	A B C D E CAPTIVE NUT
6B	290 36 49-00/8	A B C D E SCREW, 6X7/8" POZ ST
7	290 18 24-00/9	A B C D E DRAINAGE VESSEL
8	290 47 61-00/1	A B C D E DRAIN, TUBE
9	290 02 46-03/0	A B C D E BAFFLE, SUPPORT
10	31 12 02-00/4	A B C D E BAFFLE
11	290 7 76-02/6	A B - D E FLUE, KIT
	821 39 66-00/9	A B C D E INSTRUCTIONS FOR USE