

Electrolux

SPARE PARTS LIST
Household washing machine
2520

Item	PNC	ELC	Brand	Model	Market
A	914900565	01	Electrolux	EWF12832	IDH
A	914900566	01	Electrolux	EWF12832	VNE
A	914900567	01	Electrolux	EWF12832	MYH/SGE
A	914900568	01	Electrolux	EWF12832	THE

SAFETY WARNING

Always turn off and unplug the machine before detaching any parts.

When servicing machines, do not remove
ANY detachable parts while the machine is powered.
The reason is internal faults may cause shorts to components
that are normally at low voltage presenting a shock hazard.

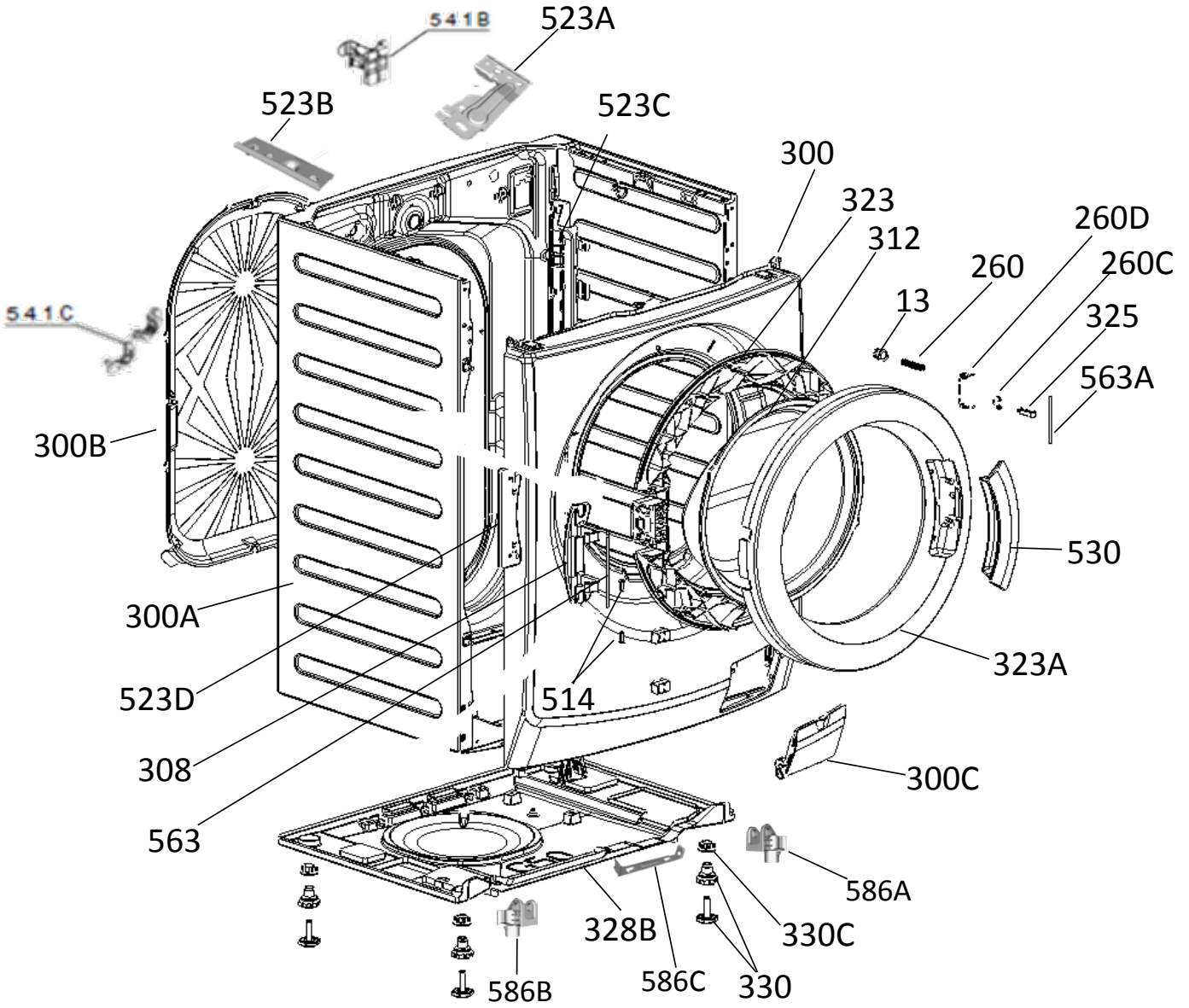
Electrolux Thailand Co.,Ltd.
1910 Electrolux Building
New Petchburi Rd.
Bangkapi
Huaykwang
Bangkok , 10310
Tel : +662 725 9000

Publication-No.
171109

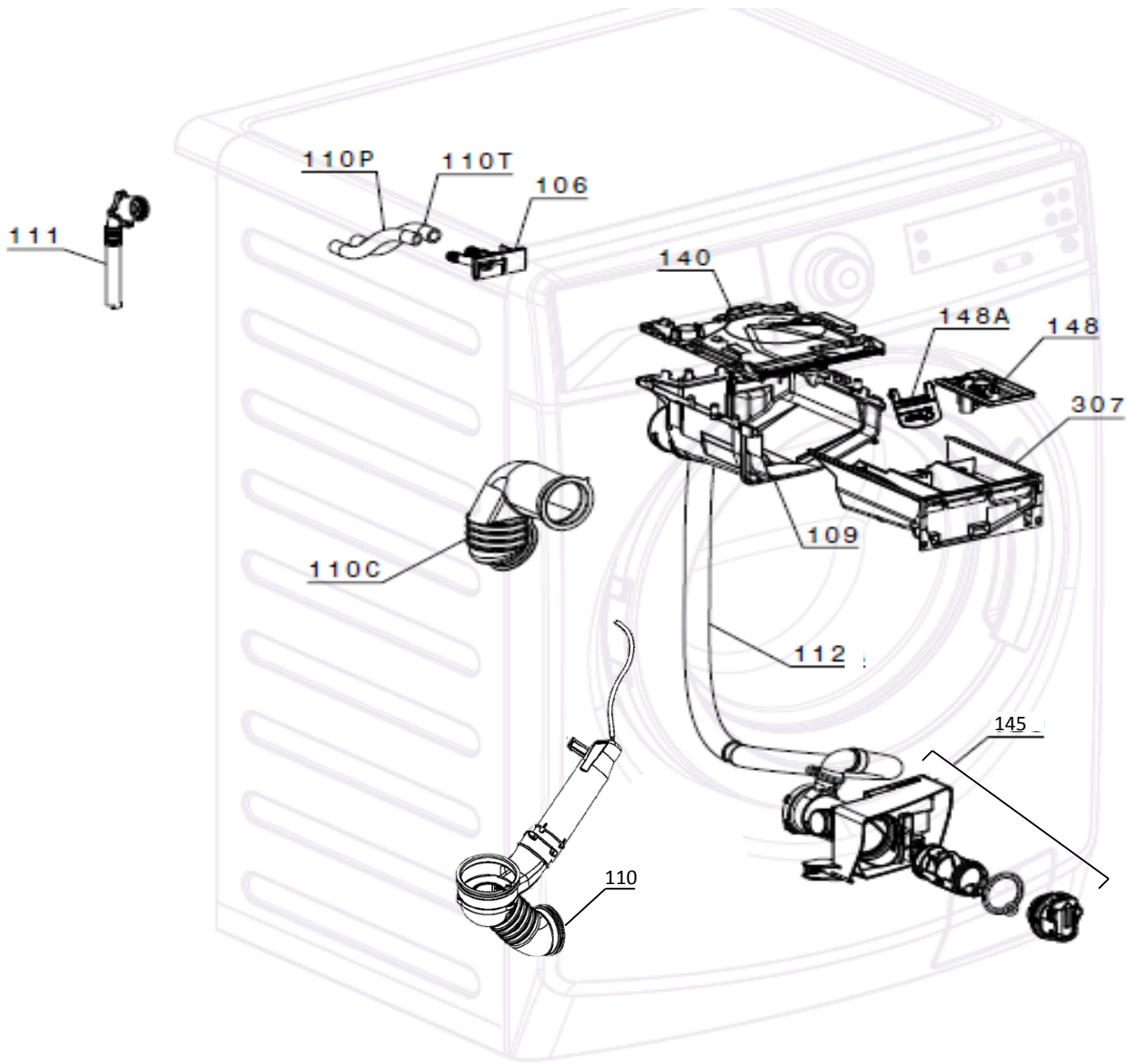
Washing machines
Front- Loaded

Model : EWF12832

Ex. View Drawing Housing Assembly



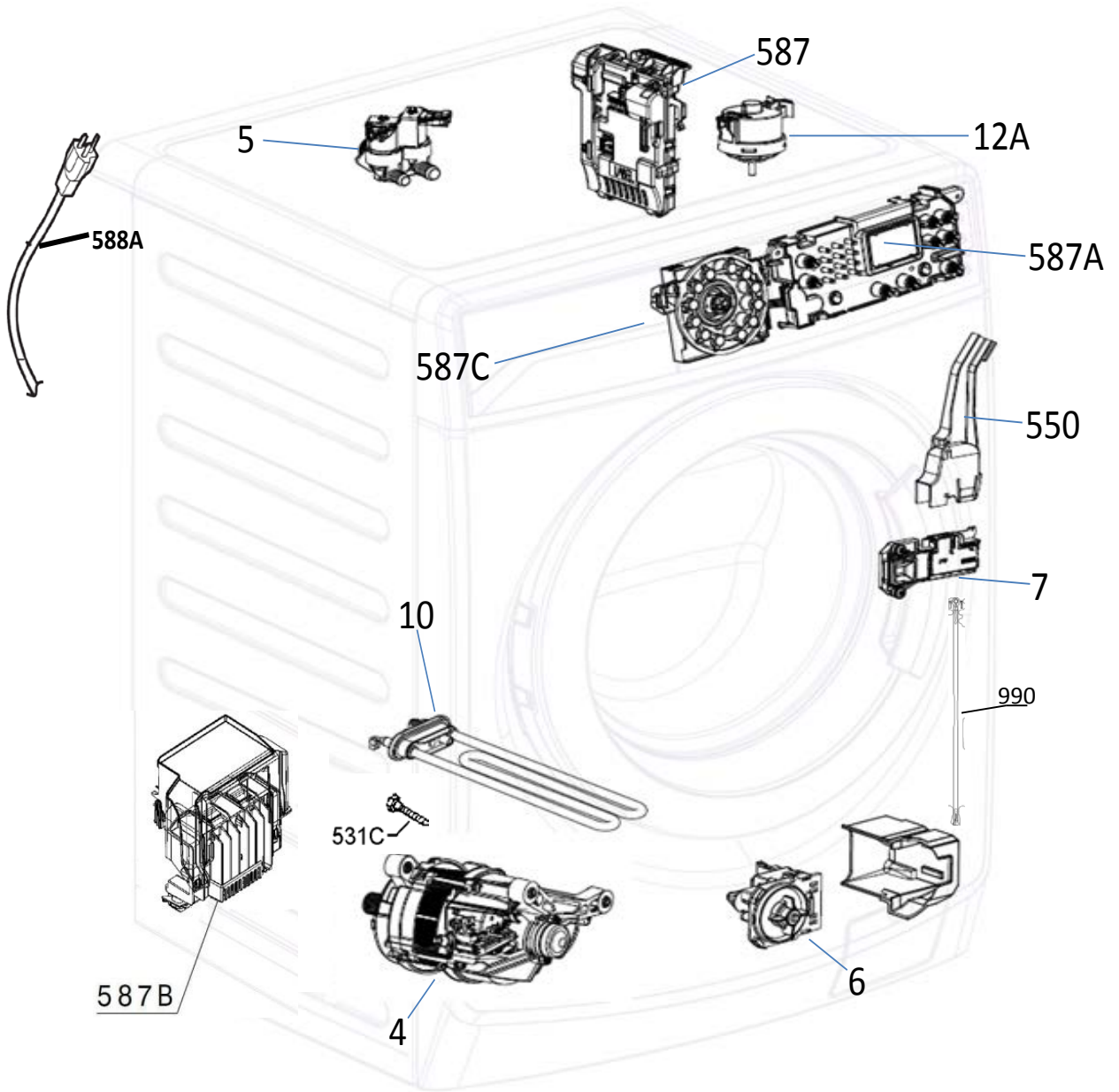
Pos.	Part No.	Description	EWF12832 PNC 914900565 01	EWF12832 PNC 914900566 01	EWF12832 PNC 914900567 01	EWF12832 PNC 914900568 01
13	110825803	DOOR SAFETY BUTTON	•	•	•	•
260	124067303	SPRING	•	•	•	•
300	147912111	PANEL FRONT HEC STD WHITE	•	•	•	•
300A	147763413	ASSEMBLY,CABINET,PAINT,WHITE	•	•	•	•
300B	132763805	PANEL,BACK,HIGH	•	•	•	•
308	147910701	PORTHOLE HINGE	•	•	•	•
312	132764000	PORTHOLE GLASS	•	•	•	•
323	147909204	REAR PORTHOLE FRAME SS	•	•	•	•
323A	147321210	FRONT PORTHOLE FRAME, SILVER	•	•	•	•
325	124013721	DOOR LATCH	•	•	•	•
328B	132782755	C.AQUA CONTROL G50	•	•	•	•
260C	132829001	DOOR LATCH SPRING	•	•	•	•
260D	132829100	PORT HOLE HANDLE SPRING	•	•	•	•
330	132500704	ASSEMBLY,FOOT,BUSH,20	•	•	•	•
330C	110877100	NUT,PLASTIC	•	•	•	•
514	807493801	BUSHING HINGE	•	•	•	•
523A	132658301	SUPPORT,WG SPRING	•	•	•	•
523B	132658310	SUPPORT,WG SPRING	•	•	•	•
523D	132502201	HINGE REINFORCEMENT	•	•	•	•
530	147909410	PORTHOLE HANDLE SILVER PAINTED	•	•	•	•
541B	132734201	SUPPORT,HOSE DRAIN,HIGH	•	•	•	•
541C	132736704	SUPPORT,DRWIN HOSE,LOW	•	•	•	•
563	132554120	DOOR HING PIN	•	•	•	•
563A	132554110	CATCHER PIN ICON	•	•	•	•
586A	132782500	BRACKET SHOCK ABSORBER SX G50	•	•	•	•
586B	132782601	BRACKET SHOCK ABSORBER DX G50	•	•	•	•
586C	147909900	METAL PIVOT BRACKET	•	•	•	•
300C	147904400	DOOR FILTER	•	•	•	•
			•	•	•	•



Pos.	Part No.	Description	EW12832 PNC 914900565 01	EW12832 PNC 914900566 01	EW12832 PNC 914900567 01	EW12832 PNC 914900568 01
109	132640481	DETERGENT,HOUSING,SHORT	•	•	•	•
140	124624641	CONVEYOR SET	•	•	•	•
106	124947013	VALVE CONNECTION	•	•	•	•
111	A03184101	INLET HOSE ASSEMBLY (COLD)	•	•	•	•
110P	147154936	SOLENOID VALVE+HOSE CLAMP ASSY	•	•	•	•
110T	147154935	SOLENOID VALVE+HOSE CLAMP ASSY	•	•	•	•
112	808276401	EXTERNAL DRAIN HOSE ASSY	•	•	•	•
145	132766640	PUMP BODY ASSEMBLY OKO	•	•	•	•
148	124624241	COVER SYPHON 3C 209	•	•	•	•
148A	132756000	DRAWER PARTITION RIB L.D.	•	•	•	•
307	147171211	DRAWER (NCS 3000N)	•	•	•	•
110C	132783900	INLET DETERG.HOSE	•	•	•	•
110	147765410	INTERNAL DRAIN ASSY, G50	•	•	•	•

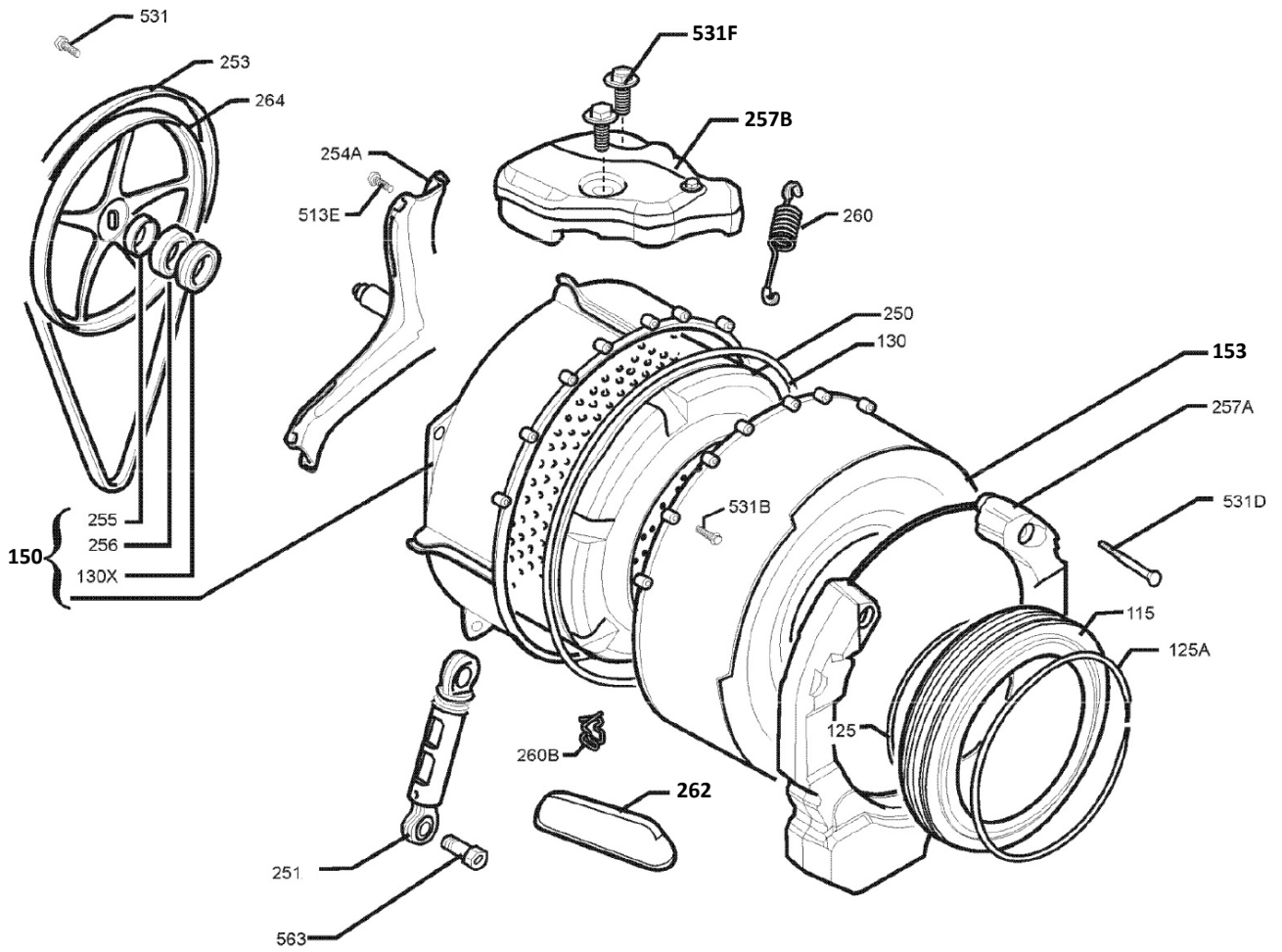
Model : EWF12832

Ex. View Drawing
ELECTRICAL EQUIPMENT

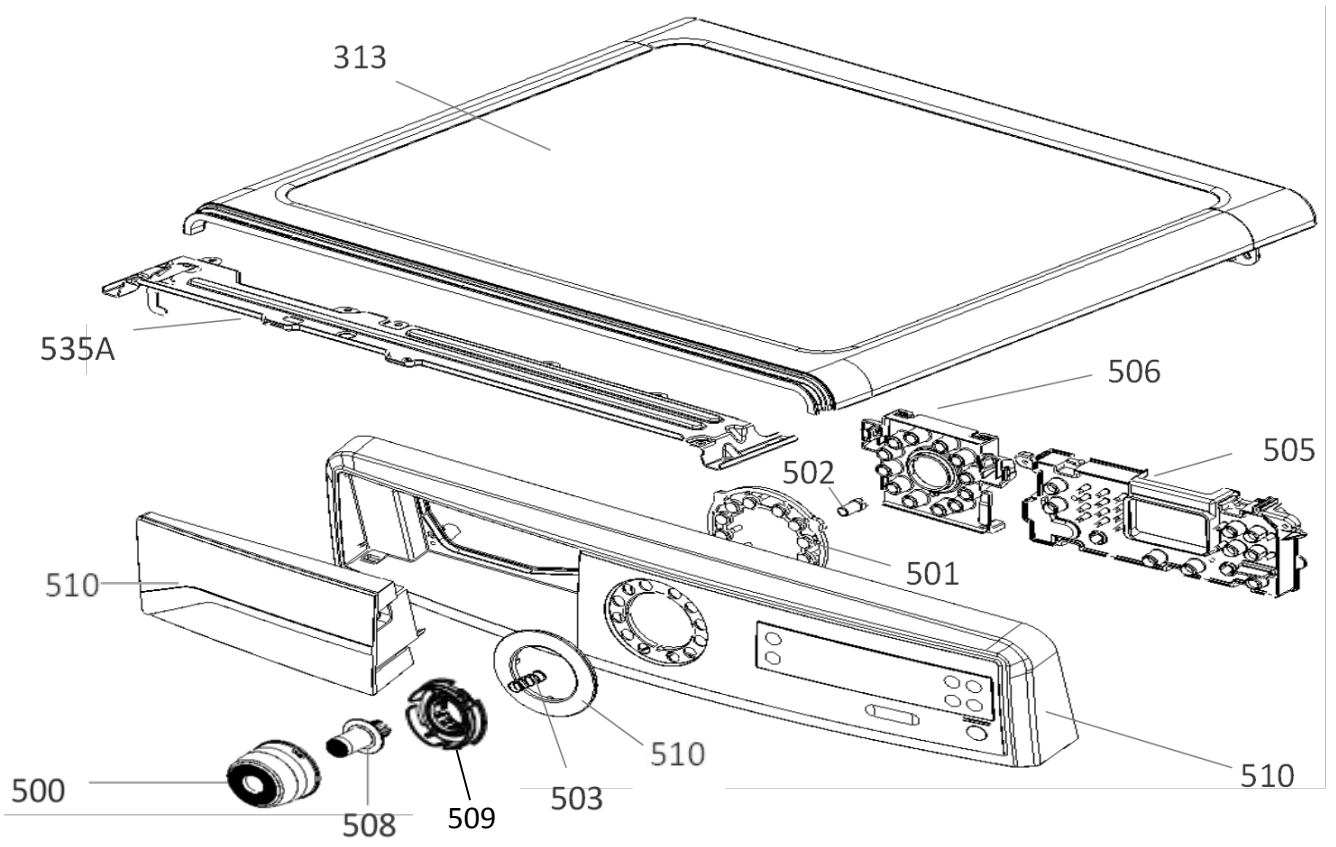


Pos.	Part No.	Description	EWF12832 PNC 914900565 01	EWF12832 PNC 914900566 01	EWF12832 PNC 914900567 01	EWF12832 PNC 914900568 01
4	808200601	MOTOR CIM-AL STK55-G60-HP	•	•	•	•
5	132518622	VALVE INLET 2-WAY WITH FLOW	•	•	•	•
6	132611910	PUMP-ASSY DRAIN CU 50HZ SC	•	•	•	•
7	132846902	DOOR LOCK INSTANT SECUR+	•	•	•	•
10	132724241	HEATER-ASSY 3W1900T 1950W-230V	•	•	•	•
12A	132819501	SENSOR PRESSURE ST-545 0-380MM	•	•	•	•
531C	124022201	MOTOR SCREW(5,5X38TE)	•	•	•	•
550	A00109303	DOOR LOCK PROTECTION	•	•	•	•
550A	132117604	DRAIN PUMP PROTECTION	•	•	•	•
587A	807695243	PCBA UI TC3-EUI12200	•	•	•	•
587B	808653407	PCBA MC UIMC-HP	•	•	•	•
587C	147862002	PCBA AUX SELECTOR-EAX12700	•	•	•	•
588	807286221	HARNESS-ASSY MAIN G50-X11-TC3	•	•	•	•
19D	129719603	CABLEDUCT,POWERCABLE	•	•	•	•
588A	147220020	POWERCORD FL EU	•	•		
	147220210	POWERCORD FL TH				•
	147220120	POWERCORD FL UK			•	
990	807484701	EMERGENCY DOOR LOCK STRIP	•	•	•	•

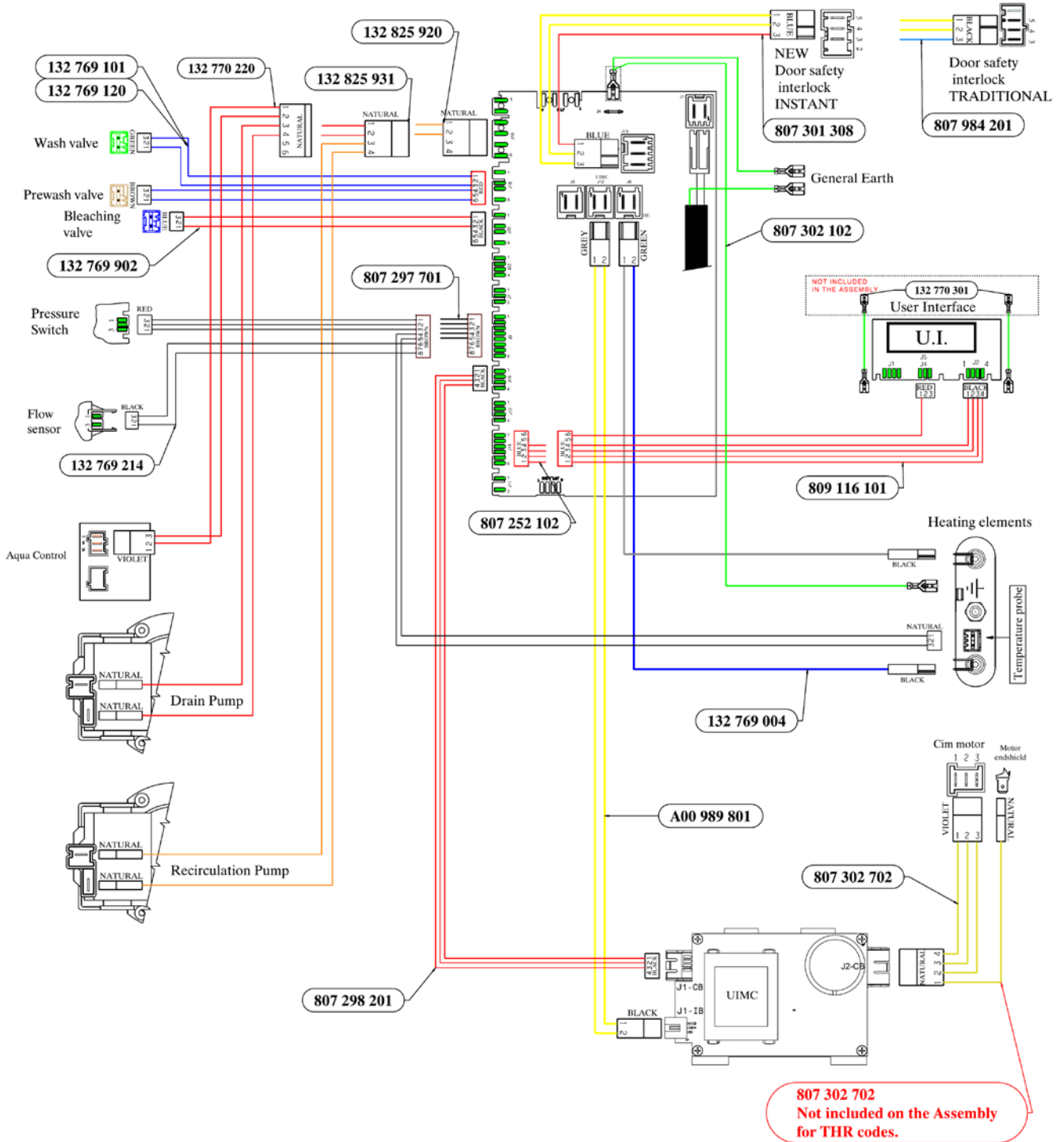
Pos.	Part No.	Description	EWF12832 PNC 914900565 01	EWF12832 PNC 914900566 01	EWF12832 PNC 914900567 01	EWF12832 PNC 914900568 01
587	97391490056501	PCBA MB EWX11 L For PNC 914900565 ELC 01	•			
	97391490056601	PCBA MB EWX11 H For PNC 914900566 ELC 01		•		
	97391490056701	PCBA MB EWX11 H For PNC 914900567 ELC 01			•	
	97391490056901	PCBA MB EWX11 H For PNC 914900568 ELC 01				•
587	807010442	Non Config PCBA MB EWX11 L	•			
	807010441	Non Config PCBA MB EWX11 H		•	•	•



Pos.	Part No.	Description	EWF12832 PNC 914900565 01	EWF12832 PNC 914900566 01	EWF12832 PNC 914900567 01	EWF12832 PNC 914900568 01
115	132724644	PORTH.GASKET WM TRAD.P10	•	•	•	•
125	132562100	SPRING,BELLOW,TUB,G33 ICON	•	•	•	•
125A	132556200	BELLOWS CLAMP WITH SPRING	•	•	•	•
130	147100700	TUB SHELL GASKET G23	•	•	•	•
130X	124056600	SEALING RING	•	•	•	•
150	132771860	ASSEMBLY,BACK TUB SHELL,G50W25	•	•	•	•
256	132774910	BALL BEARING 25X52X15	•	•	•	•
255	132774900	BALL BEARING 20X47X14	•	•	•	•
153	132792620	FRONT TUB SHELL G50 AP	•	•	•	•
254A	132762370	ASSY SPIDER-BUSHING (R30-25)	•	•	•	•
250	A00255905	DRUM ASSY G50 12RPM THR 51L	•	•	•	•
251	132255383	SHOCK ABSORBER ASSY	•	•	•	•
253	132353120	POLI-V BELT	•	•	•	•
257A	132768840	COUNTERWEIG.ASSY G50 WM 25MM	•	•	•	•
257B	132763620	UPPER COUNTERWEIGHT P10	•	•	•	•
260	132768413	TUB SPRING G50	•	•	•	•
260B	132763000	HEATING ELEMENT SPRING	•	•	•	•
262	132816501	DRUM LIFTER	•	•	•	•
264	132396554	PULLEY (G50)	•	•	•	•
531D	132658901	FRONT COUNTERWEIGHT SCREW	•	•	•	•
531F	132729101	TOP COUNTER WEIGHT SCREW	•	•	•	•
563	132780412	SHOCK ABSORBER PIN	•	•	•	•



Pos.	Part No.	Description	EWF12832 PNC 914900565 01	EWF12832 PNC 914900566 01	EWF12832 PNC 914900567 01	EWF12832 PNC 914900568 01
313	147772121	WORK TOP ASSEMBLY	•	•	•	•
500	807673401	KNOB PROGRAMME	•	•	•	•
501	147913900	KNOB DIFFISER	•	•	•	•
502	147914500	ON/OFF SPRING GUIDE TC2 TC3	•	•	•	•
503	147915800	ON/OFF SPRING TC2 TC3	•	•	•	•
505	147913410	LED DIFFUSOR SUPPORT TC3	•	•	•	•
506	147914000	SELECTOR BOX	•	•	•	•
508	147914410	ON/OFF KNOB PUSH BUTTON TC2/3	•	•	•	•
509	147914201	KNOB BASE SUPPORT TC2 TC3	•	•	•	•
510	A04104514	CONTROL PANEL EWF12832 SEA WH	•	•	•	•
	A04104516	CONTROL PANEL EWF12832 TH WH				•
535A	132552804	CONTROL BRACKET	•	•	•	•



SAFETY WARNING

Always turn off and unplug the machine before detaching any parts.

When servicing machines, do not remove ANY detachable parts while the machine is powered. The reason is internal faults may cause shorts to components that are normally at low voltage presenting a shock hazard.